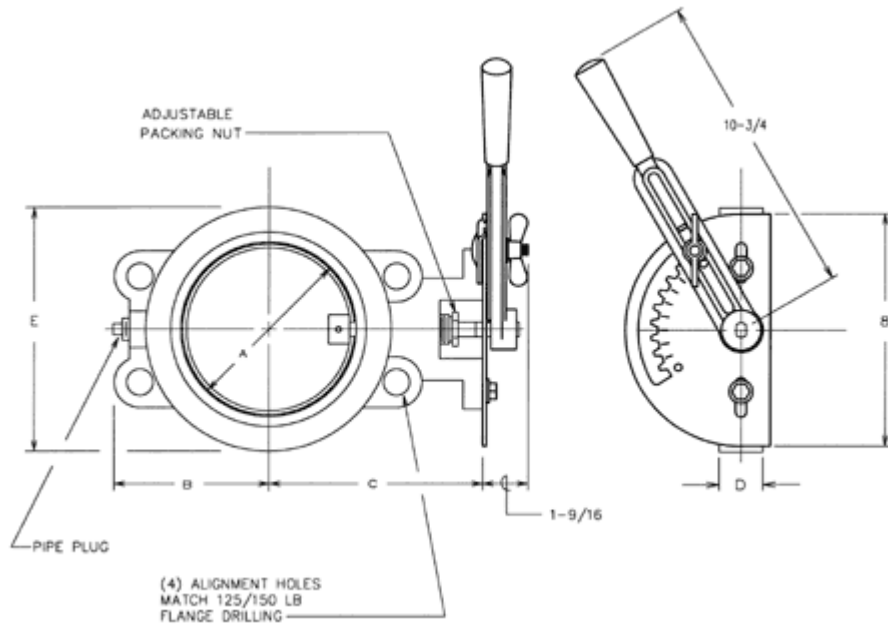


**PDC Combustion Series 22  
Butterfly Valve  
2" thru 14" for  
125/150 lb. Flanging**



**Dimensions and How to Order**



Valve Size	Valve Related Dimensions					
	Part Number	A	B	C	D	E
2"	221-017-000-ZZ	2	2-3/4	5-3/8	1-1/2	3-7/8
2.5"	221-027-000-ZZ	2-1/2	3	5-5/8	1-1/2	4-5/8
3"	221-037-000-ZZ	3	3-1/8	5-7/8	1-1/2	5-1/4
4"	221-047-000-ZZ	4	4-1/4	6-3/8	1-1/2	6-3/8
5"	221-057-000-ZZ	5	4-7/8	6-7/8	1-1/2	7-1/2
6"	221-067-000-ZZ	6	5-3/8	7-3/8	1-1/2	8-9/16
8"	221-077-000-ZZ	8	6-1/2	8-3/8	1-1/2	10-3/4
10"	221-087-000-ZZ	10	8	10-5/8	1-7/8	13
12"	221-097-000-ZZ	12	9-1/2	11-5/8	1-7/8	15-1/4
14"	221-107-000-ZZ	13-1/8	10-1/2	12-1/8	1-7/8	16-3/8

## Materials of Construction

	450°F Service	900°F Service
<b>Components</b>	<b><i>ZZ=00</i></b>	<b><i>ZZ=28</i></b>
Body	Cast Iron	Cast Iron
Disc	Carbon Steel	Carbon Steel
Shaft	416 Stainless Steel	316 Stainless Steel
Bushing	Graphited Bronze	Metcar
Packing	Graphited Teflon	High Temperature
Packing Nut	Brass	316 Sainless Steel

Process Development & Control, Inc. reserves the right to make design improvements and/or change dimensions without notice.