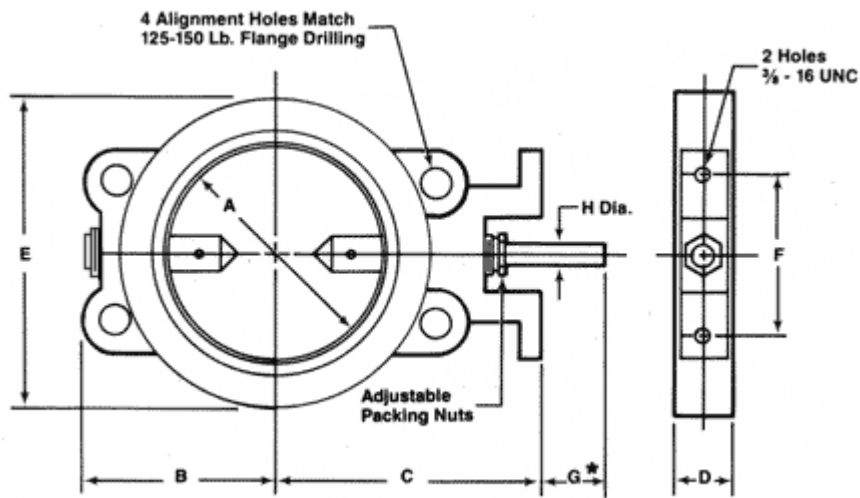


**Econotrol Series 09  
Butterfly Valve  
2" thru 14" for  
125/150 lb. Flanging**



**Typical Dimensions: 2" thru 14"**



Size	A	B	C	D	E	F	H	Max. Δ P	Approx. Wt. (LB.)
2"	2	2-3/4	5-3/8	1-1/2	3-7/8	4-1/4	1/2	150	9#
2"-1/2	2-1/2	3	5-5/8	1-1/2	4-5/8	4-1/4	1/2	150	10#
3"	3	3-1/8	5-7/8	1-1/2	5-1/4	4-1/4	1/2	150	11#
4"	4	4-1/4	6-3/8	1-1/2	6-3/8	4-1/4	1/2	125	12#
5"	5	4-7/8	6-7/8	1-1/2	7-1/2	4-1/4	1/2	100	15#
6"	6	5-3/8	7-3/8	1-1/2	8-1/2	4-1/4	1/2	80	17#
8"L	8	6-1/2	8-3/8	1-1/2	10-3/4	5-1/8	1/2	25	23#
8"H	8	6-1/2	9-5/8	1-7/8	10-3/4	5-1/8	3/4	90	32#
10"	10	8	10-5/8	1-7/8	13	5-1/8	3/4	70	40#
12"	12	9-1/2	11-5/8	1-7/8	15-1/4	5-1/8	3/4	50	50#
14"	13-1/8	10-1/2	12-1/8	1-7/8	16-1/2	5-1/8	3/4	30	70#

\* **"G"** Length and configuration of the shaft end will vary to accommodate specific actuators. Refer to the accessory section for typical flatted, keywayed, and hexed end configurations available.

MAX.  $\Delta P$  is based on 0° disc position, using standard materials of construction at a maximum temperature of 450° Fahrenheit.

Consult factory for MAX.  $\Delta P$  for elevated temperatures.

Process Development & Control, Inc. reserves the right to make design improvements and/or change dimensions without notice.