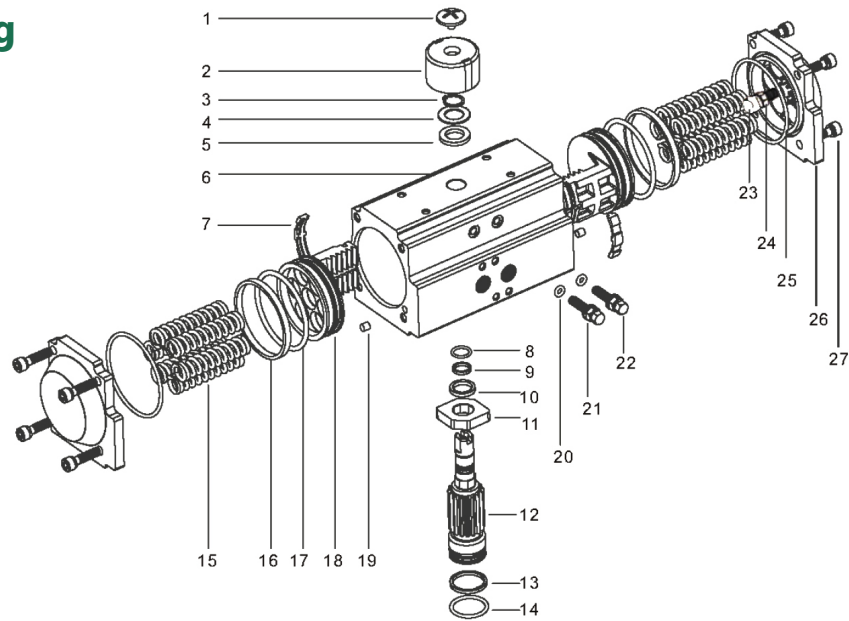


## Parts Drawing



**Parts Table**

Part No.	Description	Quantity	Material	Optional Material
1	Indicator Screw	1	ABS	
2	Indicator	1	ABS	
3	Spring Clip	1	Stainless Steel	
4	Thrust Washer	1	Stainless Steel	
5	Outside Washer	1	Engineered Plastic	
6	Body	1	Aluminum Die-casting (hard anodized)	
7	Piston Guide	2	Engineered Plastic	
8	O-Ring	1	NBR	Viton / Silicone
9	Bearing	1	Engineered Plastic	
10	Inside Washer	1	Engineered Plastic	
11	Cam	1	Alloy Steel	
12	Gear Shaft	1	Alloy Steel	Stainless Steel
13	Bearing	1	Engineered Plastic	
14	O-Ring	1	NBR	Viton / Silicone
15	Spring	0-12	Spring Steel (dip coating)	
16	Bearing	2	Engineered Plastic	
17	O-Ring	2	NBR	Viton / Silicone
18	Piston	2	Aluminum Die-casting (hard anodized)	
19	Plug	2	NBR	Viton / Silicone
20	O-Ring	2	NBR	Viton / Silicone
21	Nut	2	304 Stainless Steel	
22	Adjust Screw	2	304 Stainless Steel	
23	Stop Screw	2	304 Stainless Steel	
24	Stop Nut	2	304 Stainless Steel	
25	O-Ring	2	NBR	Viton / Silicone
26	End Cap	2	Aluminum Die-casting (powder polyester painted)	
27	End Cap Screw	8	304 Stainless Steel	