

# PNEUMATIC RACK AND PINION ACTUATOR

## Technical Parameters

### 1. Supply Air

Dry, lubricated or non-corrosive. Dust below 30 microns.

### 2. Air Supply Pressure

Minimum air pressure is 30 PSI

Maximum air pressure is 115 PSI

### 3. Operating Temperature

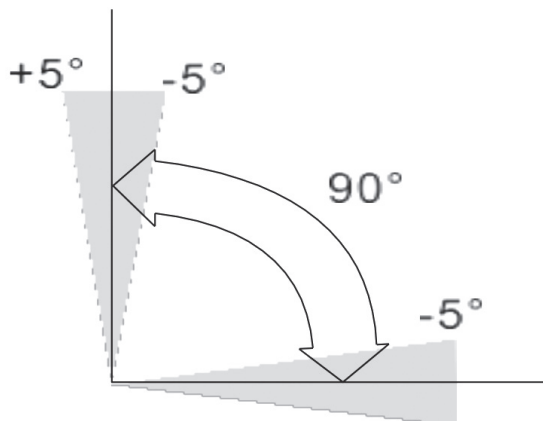
Standard Seals: -4°F to 176°F

Viton Seals: 5°F to 248°F

Silicone Seals: -31°F to 176°F

### 4. Stroke Adjustment

±5° Adjustment range at 0° and 90° points of rotation.

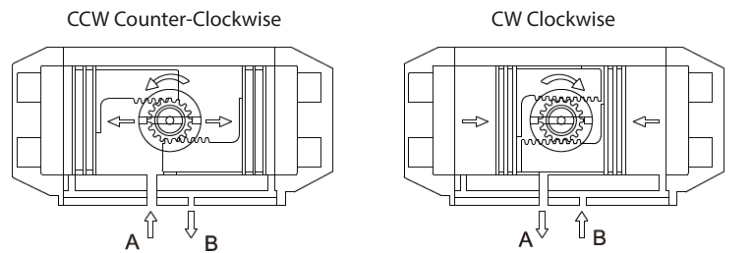


## Operating Principles

### Double Acting

1. Air from Port A forces pistons outward, causing the pinion to turn counter-clockwise while air is exhausted through Port B.

2. Air from Port B forces the pistons inward, causing the pinion to turn clockwise while the air exhausts through Port A.



### Spring Return

1. Air from Port A forces the pistons outward, causing the springs to compress and the pinion to turn counter-clockwise while the spring chamber air exhausts through Port B.

2. Upon the loss of air pressure, the springs decompress forcing the pistons inward, causing the pinion to turn clockwise while the air exhausts through Port A.

